

SAFETY FIRST

ALWAYS KEEP THE GUN POINTED IN A SAFE DIRECTION
ALWAYS KEEP YOUR FINGER OFF THE TRIGGER UNTIL READY TO SHOOT
ALWAYS KEEP THE GUN UNLOADED UNTIL READY TO USE

ADVERSUS™ SCOPE MOUNT PRODUCT MANUAL

PARTS LIST

1	MOUNT BASE	× 1
2	CAP	× 2
3	CLAMP	× 2
4	M4×30 T15 SCREW	× 4
5	M4×10 T15 SCREW	× 12
6	VIAL	× 1
7	M6 GRUB SCREW	× 1

REQUIRED TOOLS

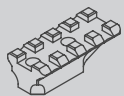


TORQUE WRENCH / T15 BIT

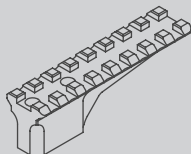


T15 SCREWDRIVER

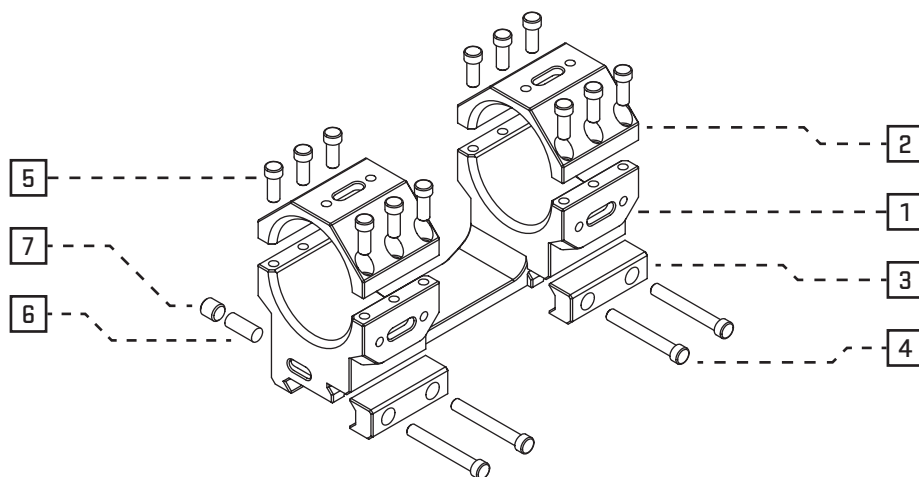
RELATED PRODUCTS



SLO001
SCOPELINK™ RAIL H1 - 15MM



SLO002
SCOPELINK™ RAIL H2 - 25MM



MAJOR FEATURES

- Six different accessory interfaces via Adversus ScopeLink™ system (FIG.A)
- CNC machined from single 7075-T651 aluminium billets
- Hardcoat anodizing / MIL-A-8625 Type III

INSTALLATION INSTRUCTIONS

1. Properly place the mount base on the rail and slide it toward the muzzle until recoil lugs stop against the teeth (FIG.B).
2. While keeping the base in position, attach the clamps with M4×30 T15 screws applying a slight torque. **Make sure the clamps are correctly oriented, with the smaller chamfer upward.**
3. According to the intended application, tighten the clamping screws to the following torque value range:
3.5 - 5Nm [31 - 44.2 in-lb] (never exceed).
4. Place the scope into the mount then attach the caps and start M4×10 T15 screws into the base as shown (FIG.C).
5. Check for a comfortable eye relief and level the scope.
6. Make sure the gaps on either side of the clamp are kept even (FIG.D) then tighten the caps to the final torque value suggested by the scope manufacturer, **never exceed 3Nm [26.5 in-lb].**

ACCESSORY INSTALLATION INSTRUCTIONS

1. Properly place the ScopeLink™ accessory in the selected interface.
Note that the fit allows a slight alignment adjustment.
2. **Tighten the M4×10 T15 screws to a max torque value of 2.5Nm [22 in-lb].**

ATTENTION

NEVER APPLY THREADLOCKER TO THE SCREWS
PERIODICALLY CHECK SCREWS TIGHTENING

FIGURE A

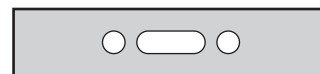


FIGURE B

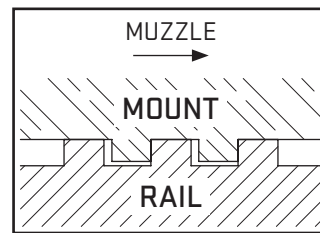


FIGURE C

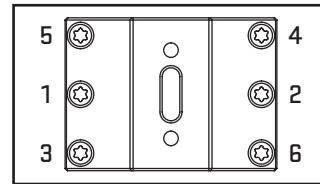


FIGURE D

